

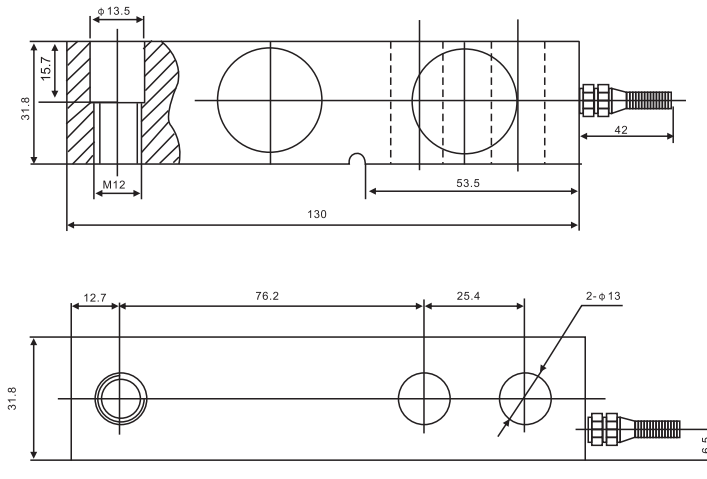


## SQB/SQB-A/-SS/-ASS Loadcell

## SQB/SQB-A/-SS/-ASS

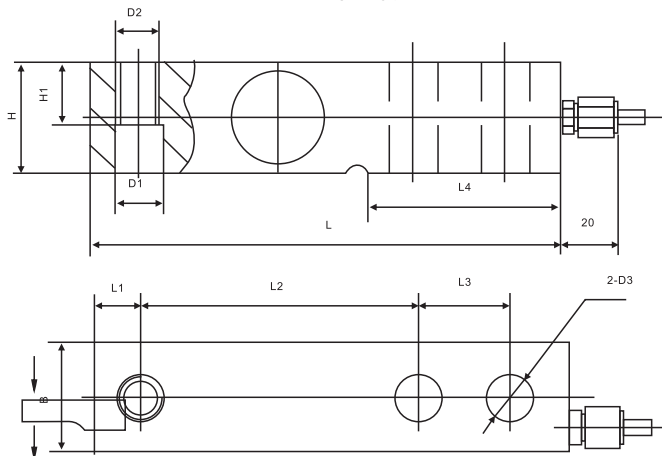


SQB/SQB-A 0.25~2.5t

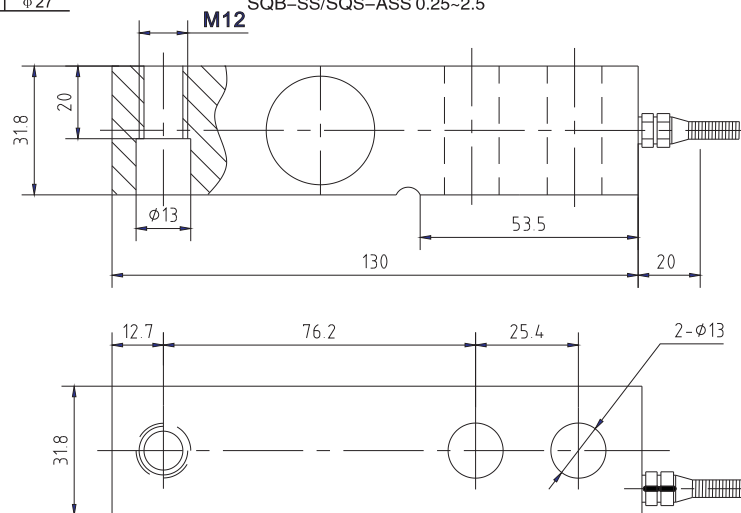


Rated Load (t)	L	L1	L2	L3	L4	H/B	H1	D1	D2	D3
3.5	171.5	19	95.3	38.1	72.5	38.1	26	$\phi 20$	M18x1.5	$\phi 20$
7.5~10	225.5	25.3	124	50.8	102	50.8	25.4	$\phi 27$	M24x2	$\phi 27$

SQB/SQB-A/SQB-SS/SQB-ASS 3~10t



t  
SQB-SS/SQS-ASS 0.25~2.5t



## TECHNICAL PARAMETER | OAP version 4Wires:Exc+(Blue);Exc-(Black);Sig+(White);Sig-(Red)

Rated capacities(Emax)	0.25, 0.3, 0.5, 0.75, 1, 1.5, 2, 2.5, 3, 5, 7.5, 10t	Temperature range, compensated	-10°C~+40°C
Sensitivity	3.0±0.003mV/V(0.5~10t);2.0±0.002mV/V(0.25~0.3t)	Temperature range, operating	-30~+70°C
Accuracy class	C2~C5	Maximum safe overload	150%F.S
		Ultimate overload	180%F.S
Zero balance	±1%F.S	Excitation, recommended	10~12V DC
TC ZERO	±0.02%F.S/10°C	Excitation, maximum	15V DC
TC SPAN	±0.02%F.S/10°C	Protection class	IP67(0.25~0.75t);IP68(1~10t)
Input resistance	400±20Ω	Construction	Alloy Steel Stainless Steel
Output resistance	352±3Ω	Cable	Length:3m(0.25~2.5t),4.2m(3~5t),5m(7.5~10t)
Insulation resistance	≥5000MΩ	Diameter:	$\phi 5$ mm(0.25~5t; 0.25~0.3t); $\phi 6$ mm(7.5~10t, 0.5~10t)